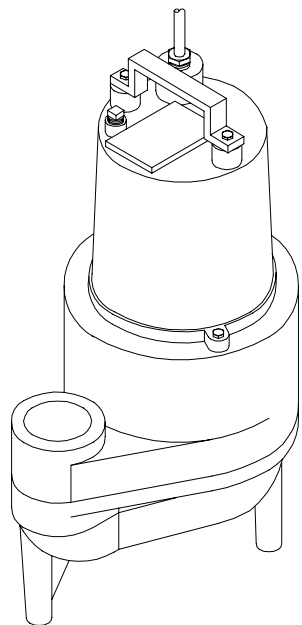


Submersible Effluent Pumps



Specifications:

- DISCHARGE**2" NPT, Female, Vertical
- LIQUID TEMPERATURE** 77°F (25°C) Continuous
- MOTOR HOUSING** Cast Iron
- PUMP BODY** Cast Iron
- IMPELLER:** *Design* Multi-Vane, Vortex
Material Cast Iron
- SHAFT** 420 Stainless Steel
- O-RINGS** Buna-N
- HARDWARE** 300 Series Stainless Steel
- PAINT** Air Dry Enamel
- SEAL:** *Design* Single Mechanical, Oil Filled Reservoir
Material Carbon/Ceramic/Buna-N
Hardware -300 Series Stainless
- CORD ENTRY** 20 ft. (6m) Cord with plug and pressure Grommet for sealing and strain relief
- UPPER BEARING**..... Single Row, Ball
- LOWER BEARING**..... Single Row, Ball
- MOTOR:** *Design* Oil Filled
Insulation Class B
- SINGLE PHASE**..... Permanent Split Capacitor (PSC)
Includes Overload Protection in Motor
- LEVEL CONTROL:**
 - EHV412 None
 - EHV412A Wide Angle, Mechanical, 20 ft (6m) cord
Pipe Mounted
 - EHV412VF Vertical Float, PVC, Snap Action
 - EHV412AT Wide Angle, Mechanical, 20 ft (6m) cord
Pump Mounted

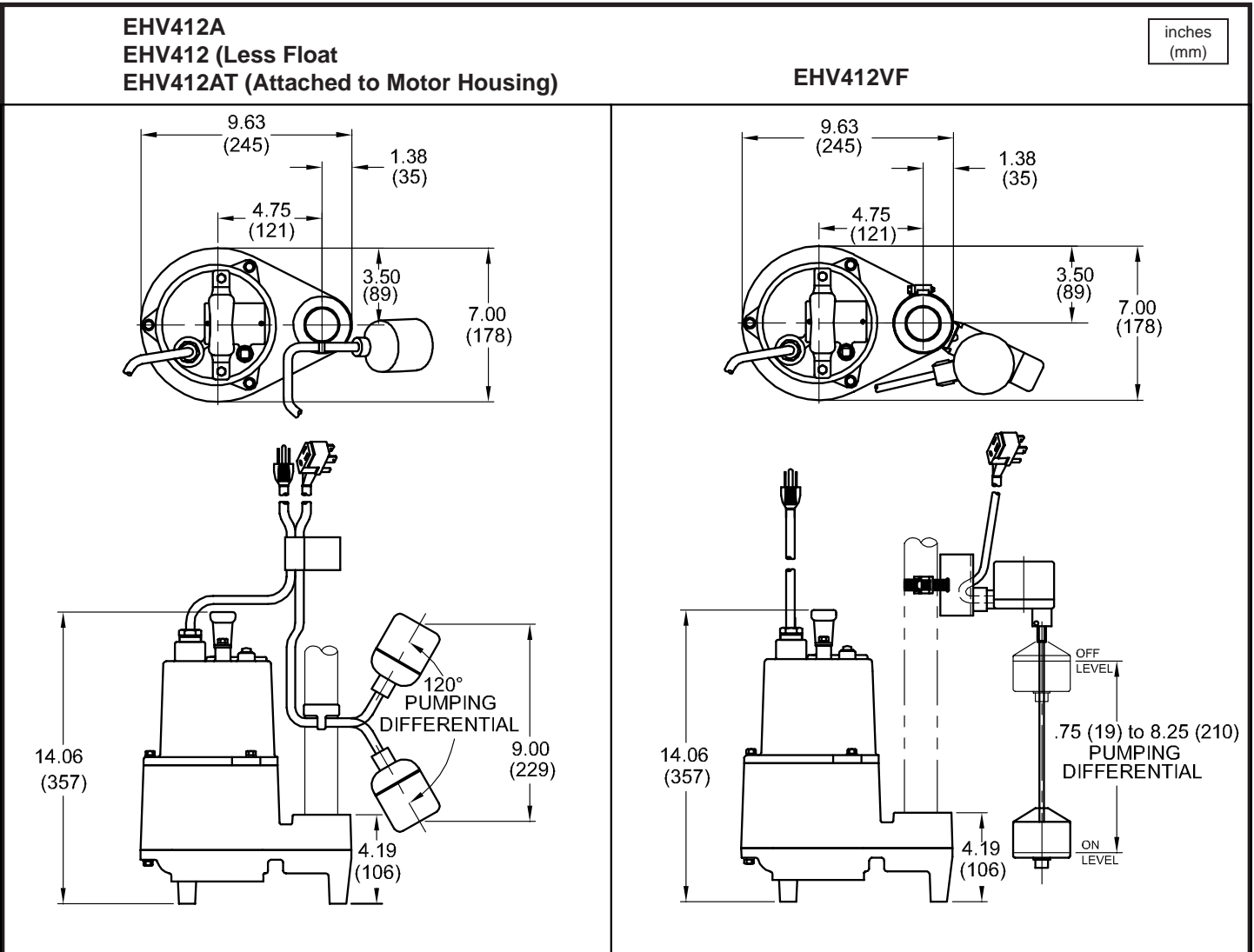
Series: EHV
.5HP, 3450RPM, 60Hz



DESCRIPTION:

PUMP IS DESIGNED FOR HANDLING SEWAGE EFFLUENT IN TYPICAL SEPTIC TANK/EFFLUENT APPLICATIONS.

Submersible Effluent Pumps

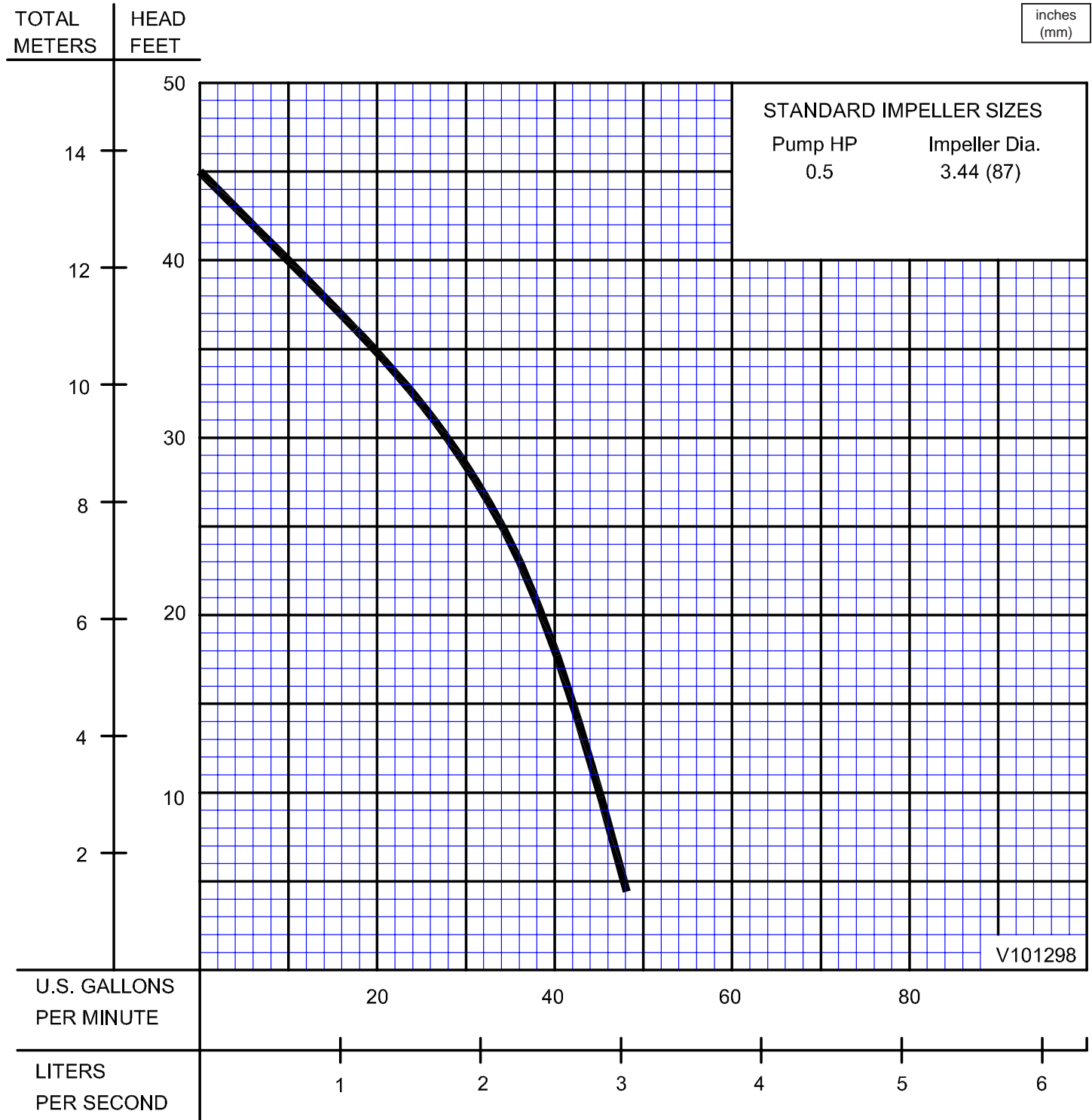


MODEL NO	PART NO	HP	VOLT/PH	Hz	RPM (Nom)	NEMA START CODE	FULL LOAD AMPS	CORD LENGTH	CORD SIZE	CORD TYPE
EHV412	101298	0.5	115/1	60	3450	H	6.4	20 ft. (6m)	14/3	SJTOW
EHV412A	103542	0.5	115/1	60	3450	H	6.4	20 ft. (6m)	14/3	SJTOW
EHV412VF	101300	0.5	115/1	60	3450	H	6.4	20 ft. (6m)	14/3	SJTOW
EHV412AT	103543	0.5	115/1	60	3450	H	6.4	20 ft. (6m)	14/3	SJTOW
EHV412	101298G	0.5	115/1	60	3450	H	6.4	30 ft. (9m)	14/3	SJTOW

IMPORTANT !

- 1.) PUMP MAY BE OPERATED "DRY" FOR EXTENDED PERIODS WITHOUT DAMAGE TO MOTOR AND/OR SEALS.
- 2.) THIS PUMP IS APPROPRIATE FOR THOSE APPLICATIONS SPECIFIED AS CLASS I DIVISION II HAZARDOUS LOCATIONS.
- 3.) THIS PUMP IS NOT APPROPRIATE FOR THOSE APPLICATIONS SPECIFIED AS CLASS I DIVISION I HAZARDOUS LOCATIONS.
- 4.) INSTALLATIONS SUCH AS DECORATIVE FOUNTAINS OR WATER FEATURES PROVIDED FOR VISUAL ENJOYMENT MUST BE INSTALLED IN ACCORDANCE WITH THE NATIONAL ELECTRIC CODE ANSI/NFPA 70 AND/OR THE AUTHORITY HAVING JURISDICTION. THIS PUMP IS NOT INTENDED FOR USE IN SWIMMING POOLS, RECREATIONAL WATER PARKS, OR INSTALLATIONS IN WHICH HUMAN CONTACT WITH PUMPED MEDIA IS A COMMON OCCURRENCE.

Submersible Effluent Pumps



Testing is performed with water, specific gravity 1.0 @ 68° F @ (20°C), other fluids may vary performance