

# EFFLUENT PUMPS

## Model: EP100



### Features

- Heavy duty cast iron construction
- Oil-filled continuous duty rated PSC motor
- Recessed vortex cast iron impeller
- Upper and lower ball bearing design
- 3/4" solids handling
- 2" NPT discharge

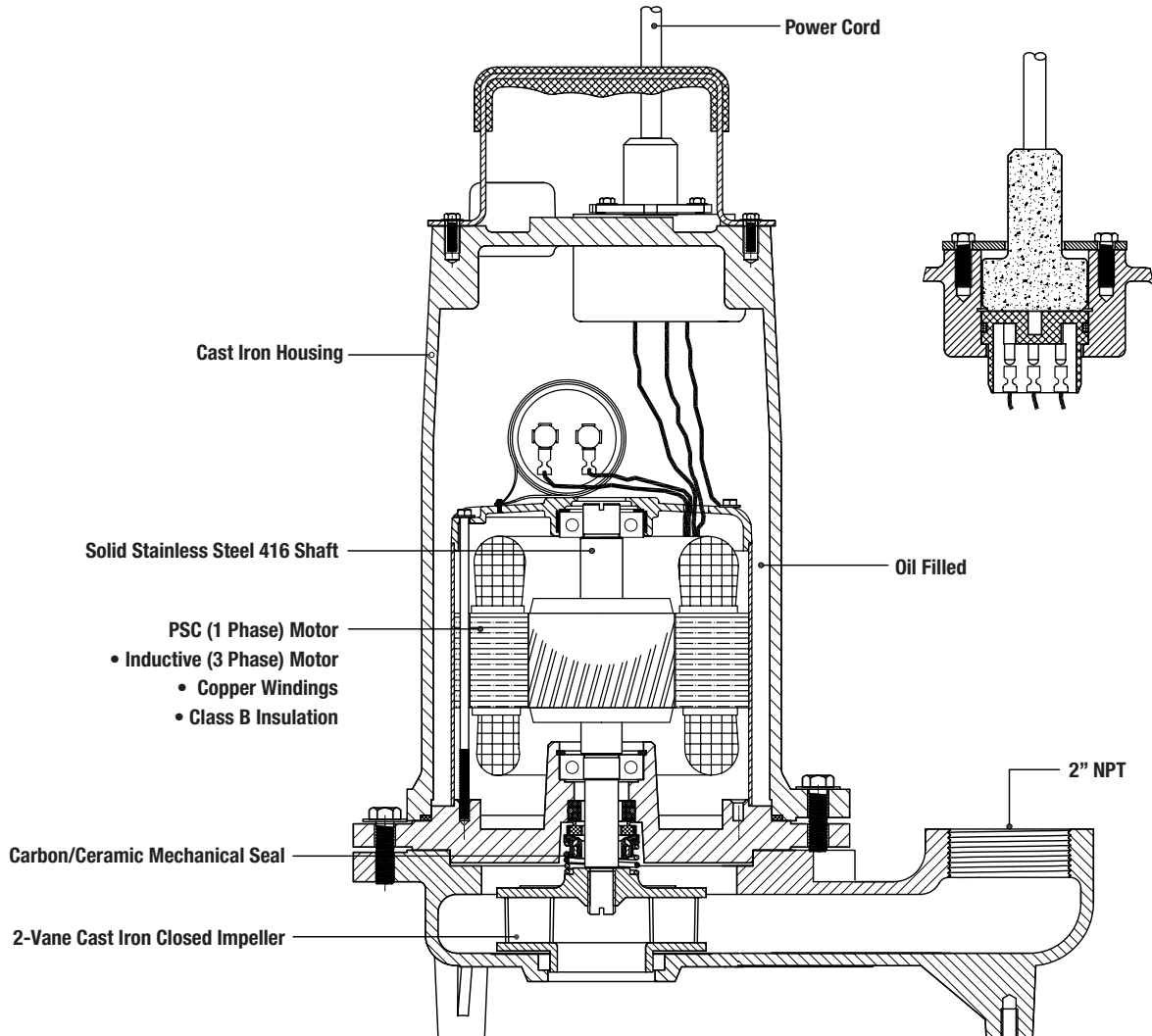
### Specifications

Physical Data:	
DISCHARGE SIZE	2" NPT
IMPELLER TYPE	2-Vane Cast Iron Closed
CABLE LENGTH	20'
Liquid Handling:	
MAXIMUM LIQUID TEMP.	104°F – Intermittent
ACCEPTABLE PH RANGE	6-8
Temperature:	
MAXIMUM STATOR	130°C
Technical Data:	
POWER CORD TYPE	SOW
SENSOR CORD TYPE	16/3C
MOTOR HOUSING	Cast Iron
CASING	Cast Iron
IMPELLER	Cast Iron
MOTOR SHAFT	SS430
HARDWARE	SST
"O" RINGS	NBR
MECHANICAL SEAL	Single Mechanical, Carbon Ceramic
UPPER BEARING	6203
LOWER BEARING	6203

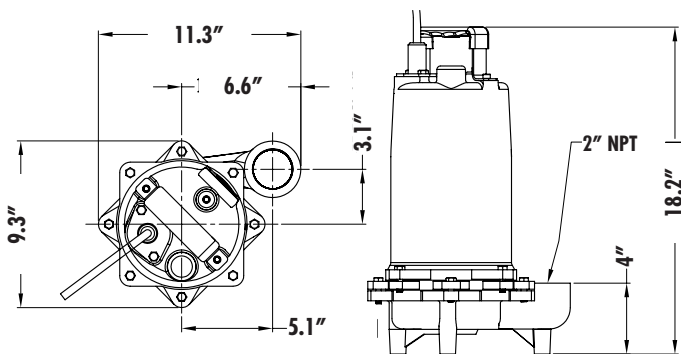
### Specifications

MODEL	HP	HZ	VOLTS/PH	RPM	FULL LOAD AMPS	NEMA START CODE	CORD TYPE	CORD SIZE	CORD O.D.	BREAKER SIZE	RUN CAPACITOR
EP100M2-20	1	60	230/1	3450	11.8	H	SOW	16AWG/3C	0.385-0.430	15A	450V 35MFD±5%
EP100M3-20	1	60	230/3	3450	6.0	H	SOW	16AWG/4C	0.410-0.460	10A	N/A
EP100M4-20	1	60	460/3	3450	3.0	H	SOW	16AWG/4C	0.410-0.460	5A	N/A
EP100M5-20	1	60	208/1	3450	12.0	H	SOW	16AWG/3C	0.385-0.430	15A	450V 35MFD±5%
EP100M6-20	1	60	208/3	3450	6.2	H	SOW	16AWG/4C	0.410-0.460	10A	N/A

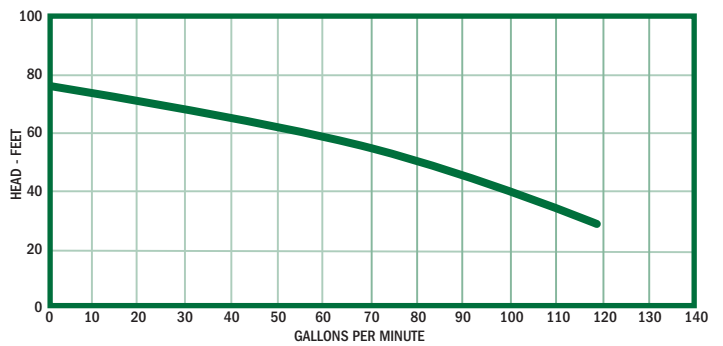
## Features



## Dimensions



## Performance Curve



P U M P

*Honest, Professional, Dependable*

1899 Cottage Street, Ashland, Ohio 44805  
 Telephone: 855 281-6830 · Fax: 877 326-1994 · ashlandpump.com