



SW40 SEWAGE PUMP

FEATURES

- Heavy duty cast iron
- Oil-filled continuous duty PSC motor
- 2 vane cast iron semi-open impeller

*Honest
Professional
Dependable*

1899 Cottage Street, Ashland, Ohio 44805

Telephone: 855 281-6830 · Fax: 877 326-1994

ashlandpump.com



SW40 - 4/10 HP Submersible Sewage Pump

TECHNICAL DATA

Physical Data:

DISCHARGE SIZE **2" NPT**
 IMPELLER TYPE **2-Vane - Cast Iron**
 CABLE LENGTH **20'**

Liquid Handling:

SOLIDS SIZE **2"**
 MAXIMUM LIQUID TEMP. **104°F - Intermittent**
 ACCEPTABLE PH RANGE **6-8**

Temperature:

MAXIMUM STATOR **130°C**

Technical Data:

POWER CORD TYPE **SJTOW 16/3C**
 MOTOR HOUSING **Cast Iron**
 CASING **Cast Iron**
 IMPELLER **Cast Iron**
 MOTOR SHAFT **SS430**
 HARDWARE **SST**
 "O" RINGS **NBR**
 SEAL **Single Mechanical Carbon Ceramic**

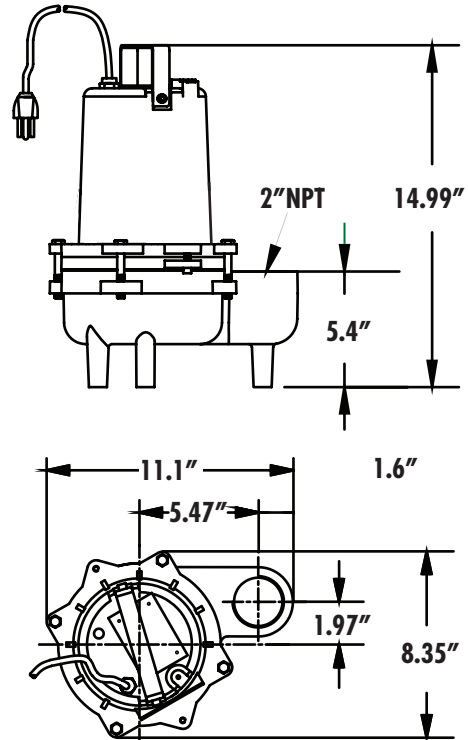
UPPER BEARING **6202**

LOWER BEARING **6203**

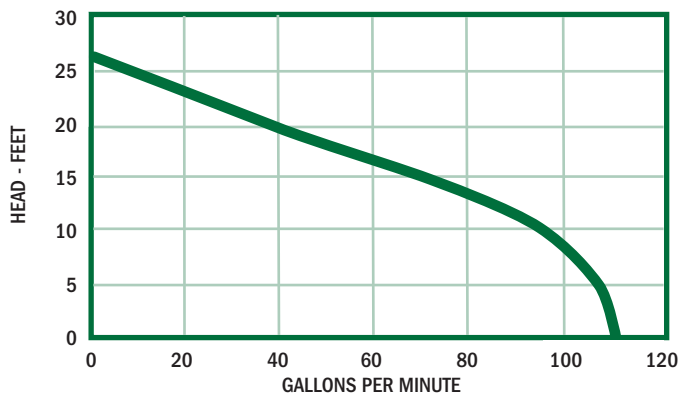
ELECTRICAL DATA

R.P.M. **1750**
 MOTOR TYPE **PSC**
 GENERAL INSULATION CLASS **B**
 STATOR WINDING CLASS **B**
 MAXIMUM STATOR TEMPERATURE **120°C**
 VOLTAGE TOLERANCE **±10%**
 MOTOR PROTECTION **Thermally Protected**
 HP **4/10**
 VOLTAGE **115**
 PHASE **1**
 SERVICE FACTOR **1**
 FULL LOAD AMPS **11.0**

DIMENSIONAL DATA



PERFORMANCE CURVE



PERFORMANCE CHART

Total Lift(feet)	0	5	10	15	20	26
GPM	110	105	95	70	40	0

Ashland

P U M P

Honest, Professional, Dependable

1899 Cottage Street, Ashland, Ohio 44805

Telephone: 855 281-6830 · Fax: 877 326-1994 · ashlandpump.com