

Ashland

P U M P

SW50 SEWAGE PUMP

FEATURES

- Heavy duty cast iron
- Oil-filled continuous duty PSC motor
- 2 vane cast iron semi-open impeller



*Honest
Professional
Dependable*

1899 Cottage Street, Ashland, Ohio 44805

Telephone: 855 281-6830 · Fax: 877 326-1994

ashlandpump.com

SW50 - 1/2 HP Submersible Sewage Pump

TECHNICAL DATA

Physical Data:

DISCHARGE SIZE **2" NPT Flanged Discharge,
3" NPT Optional**

IMPELLER TYPE **2-Vane - Cast Iron**

CABLE LENGTH **20'**

Liquid Handling:

SOLIDS SIZE **2"**

MAXIMUM LIQUID TEMP. **104°F - Intermittent**

ACCEPTABLE PH RANGE **6-8**

Temperature:

WINDING INSULATION TEMPERATURE **130°C**

Technical Data:

POWER CORD TYPE **SJTOW**

MOTOR HOUSING **Cast Iron**

CASING **Cast Iron**

IMPELLER **Cast Iron**

MOTOR SHAFT **SS430**

HARDWARE **SST**

"O" RINGS **NBR**

SEAL **Single Mechanical
Carbon Ceramic**

UPPER BEARING **6202**

LOWER BEARING **6203**

ELECTRICAL DATA

R.P.M. **1750**

MOTOR TYPE **PSC/Induction**

GENERAL INSULATION CLASS **B**

STATOR WINDING CLASS **B**

MAXIMUM STATOR TEMPERATURE **130°C**

VOLTAGE TOLERANCE **±10%**

MOTOR PROTECTION **Thermally Protected**

HP **1/2**

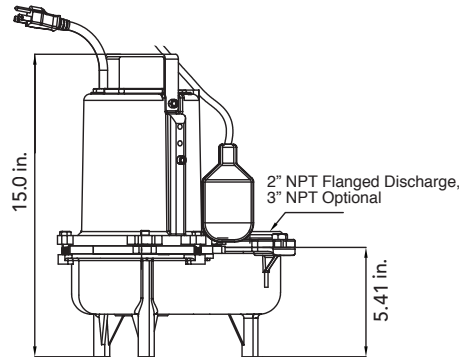
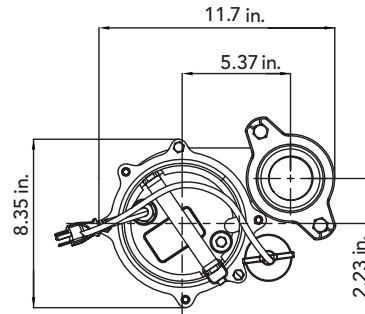
VOLTAGE **115/208/230/460**

PHASE **1/3**

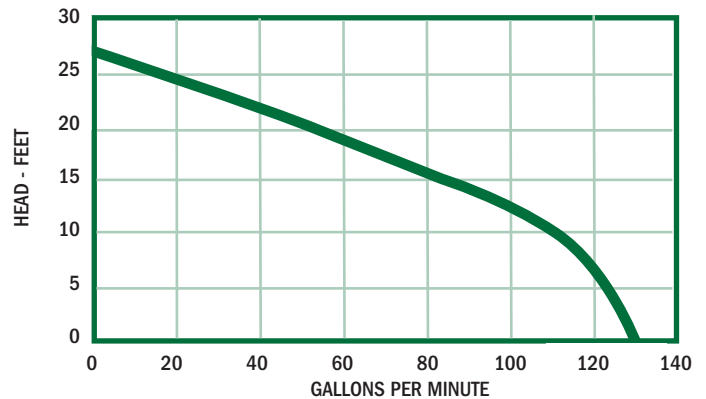
SERVICE FACTOR **1**

FULL LOAD AMPS **115V/1PH/12.0
230V/1PH/6.0
230V/3PH/4.5
460V/3PH/2.3
208V/1PH/7.5
208V/3PH/4.7**

DIMENSIONAL DATA



PERFORMANCE CURVE



PERFORMANCE CHART

Total Lift(feet)	0	5	10	15	20	27
GPM	130	123	110	82	54	0

Ashland

P U M P

Honest, Professional, Dependable

1899 Cottage Street, Ashland, Ohio 44805
Telephone: 855 281-6830 · Fax: 877 326-1994 · ashlandpump.com