

SEWAGE PUMPS

Model: SWH50



Features

- Heavy duty cast iron construction
- Oil-filled continuous duty PSC motor (1Ph) and Induction motor (3Ph)
- 9 Vane vortex cast iron impeller
- 2" solids handling

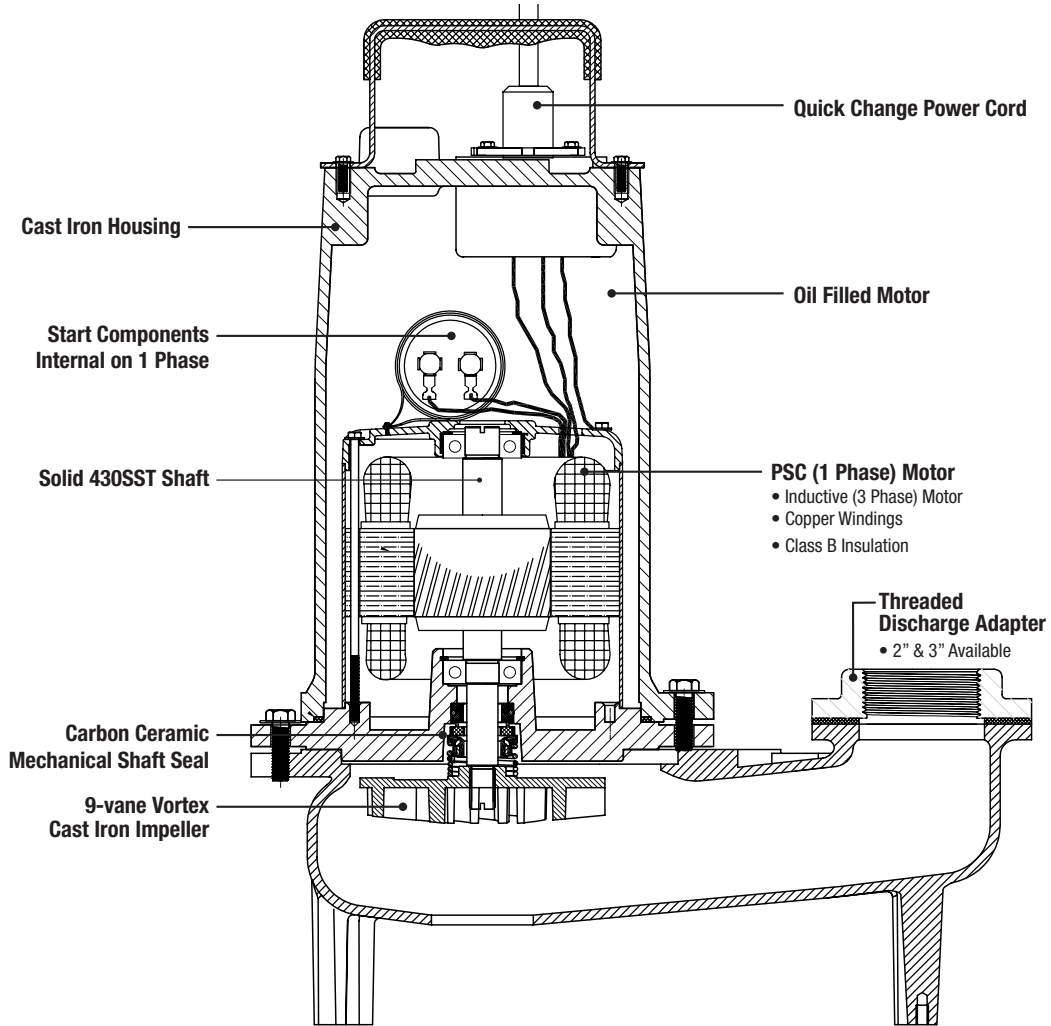
Specifications

Physical Data:	
DISCHARGE SIZE	2" Flanged with 2" & 3" NPT Adapter
IMPELLER TYPE	9 Vane Vortex - Cast Iron
CABLE LENGTH	20'
Liquid Handling:	
SOLIDS SIZE	2"
MAXIMUM LIQUID TEMP.	104°F – Intermittent
ACCEPTABLE PH RANGE	6-8
Technical Data:	
MOTOR HOUSING	Cast Iron
CASING	Cast Iron
IMPELLER	Cast Iron
MOTOR SHAFT	SS416
HARDWARE	SST
"O" RINGS	NBR
SEALS	Single Mechanical, Carbon Ceramic
UPPER BEARING	6203
LOWER BEARING	6203
Electrical Data:	
R.P.M.	3450
MOTOR TYPE	PSC/Induction
GEN INSULATION CLASS	B
STATOR WINDING CLASS	B
MAXIMUM STATOR TEMP	130°C
VOLTAGE TOLERANCE	±10%
MOTOR PROTECTION	Thermally Protected
HP 1 (SWF100) and 2 (SWF200)	
VOLTAGE	208/230/460
PHASE	1/3
SERVICE FACTOR	1

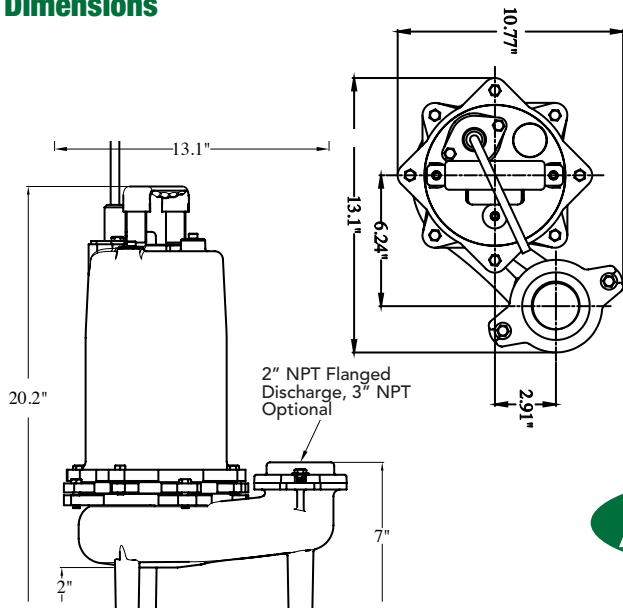
Specifications

Model	HP	Hz	Volts/Ph	RPM	Full Load Amps	Nema Start Code	Cord Type	Cord Power Size	Cord O.D.
SWH50M1-20	1/2	60	115/1	3450	12.0	P	SOW	16AWG/3C	.43
SWH50M2-20	1/2	60	230/1	3450	6.0	P	SOW	16AWG/3C	.43
SWH50M3-20	1/2	60	230/3	3450	4.0	P	SOW	16AWG/4C	.46
SWH50M4-20	1/2	60	460/3	3450	2.0	P	SOW	16AWG/4C	.46
SWH50M5-20	1/2	60	208/1	3450	6.8	P	SOW	16AWG/4C	.43
SWH50M6-20	1/2	60	208/3	3450	4.2	P	SOW	16AWG/4C	.46

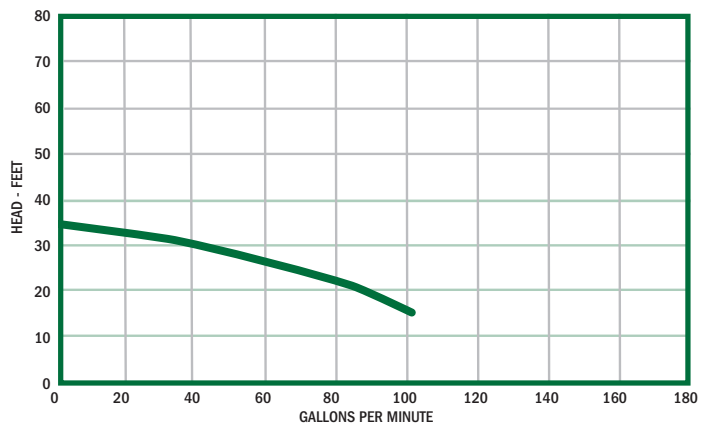
Features



Dimensions



Performance Curve



Ashland

P U M P

Honest, Professional, Dependable

1899 Cottage Street, Ashland, Ohio 44805

Telephone: 855 281-6830 • Fax: 877 326-1994 • ashlandpump.com