

BERKELEY® CP/CB Series

General purpose centrifugal pumps



The CP/CB Series Pumps have a heavy-duty cast iron construction and are offered in high and medium head models, with Noryl® or silicon bronze impeller.

APPLICATIONS

Water systems and sprinkling...
for homes, farms and industry.

SPECIFICATIONS

Body and Seal Plate: Close-grained cast iron

Base: Steel 12 gauge

Impeller: CP Series – Noryl

Impeller: CB Series - Brass

Shaft: 416 stainless steel

Mechanical Seal: Carbon/ceramic, Buna-N

FEATURES

1/3 through 2-1/2 HP: High head and medium head models, with heavy-duty motors, easy service design and four-position discharge.

Drain Port: Provided for easy winterizing.

Medium Head Models: Deliver up to 110' of head with capacities to 140 GPM.

High Head Models: Deliver up to 140' of head with capacities to 90 GPM.

Easy Serviceability: All models include replaceable wear ring and feature back pull-out design.

CP Series with Noryl Impellers:
Abrasion-resistant for normal applications with working temperatures to 140°F.

CB Series with Silicon Bronze:
JB pumps equipped with shaft seals rated for temperatures to 225°F.

Max. Operating Pressure: 100 PSI

Pentair trademarks and logos are owned by Pentair plc or its affiliates. All other third party registered and unregistered trademarks and logos are the property of their respective owners.

BERKELEY® CP/CB Series General Purpose

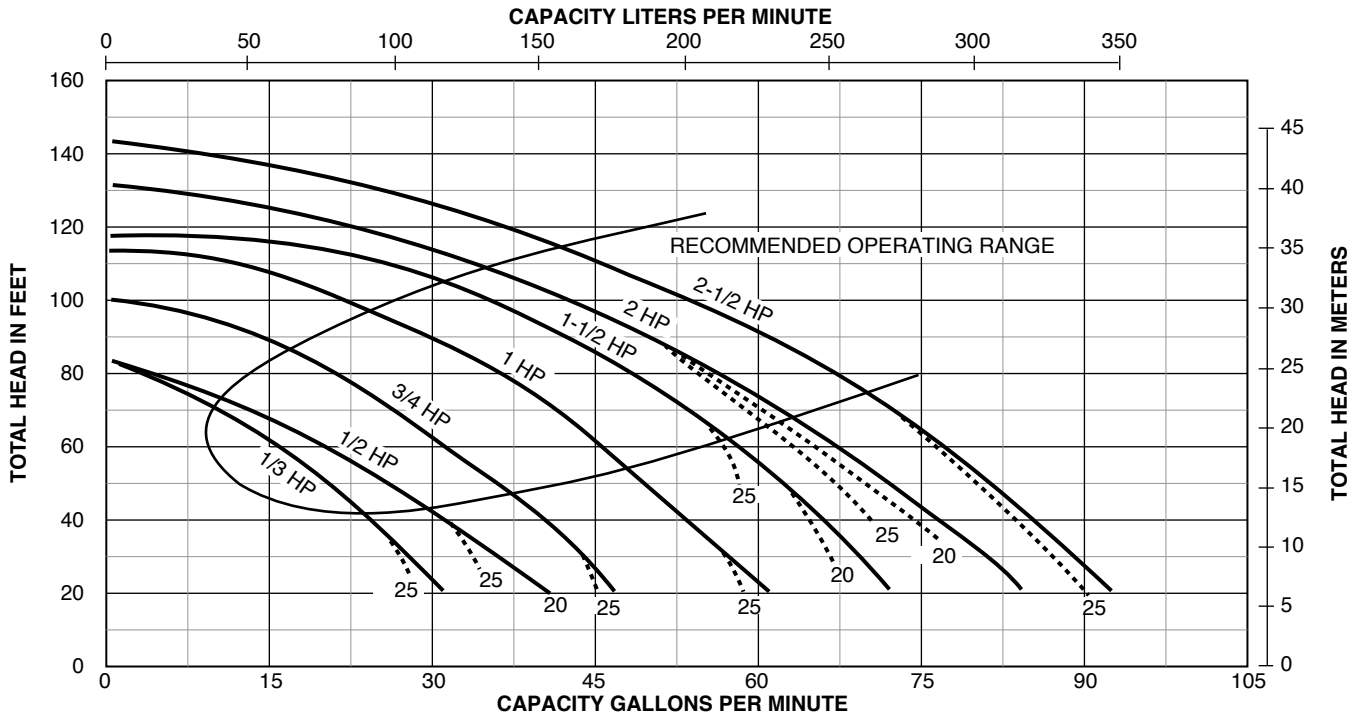
General Purpose - Cast Iron

ORDERING INFORMATION									
HIGH HEAD									
Noryl® Impeller		Silicon Bronze Impeller		HP	Pipe Tapping Sizes		Motor Voltage	Phase	Approx. Wt. Lbs.
Model Number	Catalog Number	Model Number	Catalog Number		Suct.	Disch.			
CP1XPHS	S39516	CB1XPHS	S39529	1/2	1-1/4"	1"	115/230	1	39
CP1XPHS	S39517	CB1XPHS	S39530		1-1/4"	1"	208-230/460	3	39
CP1XPHS	S39517-575T	CB1XPHS	S39530-575T		1-1/4"	1"	575	3	40
CP1XPHS	S39518	CB1XPHS	S39531	3/4	1-1/4"	1"	115/230	1	42
CP1XPHS	S39519	CB1XPHS	S39532		1-1/4"	1"	208-230/460	3	42
CP1XPHS	S39519-575T	CB1XPHS	S39532-575T		1-1/4"	1"	575	3	43
CP1XPHS	S39520	CB1XPHS	S39533	1	1-1/4"	1"	115/230	1	45
CP1XPHS	S39521	CB1XPHS	S39534		1-1/4"	1"	208-230/460	3	45
CP1XPHS	S39521-575T	CB1XPHS	S39534-575T		1-1/4"	1"	575	3	46
CP1XPHS	S39522	CB1XPHS	S39535	1-1/2	1-1/4"	1"	115/230	1	49
CP1XPHS	S39523	CB1XPHS	S39536		1-1/4"	1"	208-230/460	3	49
CP1XPHS	S39523-575T	CB1XPHS	S39536-575T		1-1/4"	1"	575	3	50
CP1-1/4TPHS	S39524	CB1-1/4TPHS	S39537	2	1-1/2"	1-1/4"	230	1	69
CP1-1/4TPHS	S39525	CB1-1/4TPHS	S39538		1-1/2"	1-1/4"	208-230/460	3	69
CP1-1/4TPHS	S39525-575T	CB1-1/4TPHS	S39538-575T		1-1/2"	1-1/4"	575	3	70
CP1-1/2TPHS	S39526	CB1-1/2TPHS	S39539	2-1/2	2"	1-1/2"	230	1	74
CP1-1/2TPHS	S39527	CB1-1/2TPHS	S39540		2"	1-1/2"	208-230/460	3	74
CP1-1/2TPHS	S39527-575T	CB1-1/2TPHS	S39540-575T		2"	1-1/2"	575	3	75
MEDIUM HEAD									
Noryl® Impeller		Silicon Bronze Impeller		HP	Pipe Tapping Sizes		Motor Voltage	Phase	Approx. Wt. Lbs.
Model Number	Catalog Number	Model Number	Catalog Number		Suct.	Disch.			
CP1MPS	S39489	-	-	1/3	1-1/4"	1"	115	1	39
CP1MPS	S39490	CB1MPS	S39503	1/2	1-1/4"	1"	115/230	1	39
CP1MPS	S39491	CB1MPS	S39504		1-1/4"	1"	208-230/460	3	39
CP1MPS	S39491-575T	CB1MPS	S39504-575T		1-1/4"	1"	575	3	40
CP1MPS	S39492	CB1MPS	S39505	3/4	1-1/4"	1"	115/230	1	42
CP1MPS	S39493	CB1MPS	S39506		1-1/4"	1"	208-230/460	3	42
CP1MPS	S39493-575T	CB1MPS	S39506-575T		1-1/4"	1"	575	3	43
CP1-1/4XPS	S39494	CB1-1/4XPS	S39507	1	1-1/2"	1-1/4"	115/230	1	43
CP1-1/4XPS	S39495	CB1-1/4XPS	S39508		1-1/2"	1-1/4"	208-230/460	3	43
CP1-1/4XPS	S39495-575T	CB1-1/4XPS	S39508-575T		1-1/2"	1-1/4"	575	3	44
CP1-1/4XPS	S39496	CB1-1/4XPS	S39509	1-1/2	1-1/2"	1-1/4"	115/230	1	54
CP1-1/4XPS	S39497	CB1-1/4XPS	S39510		1-1/2"	1-1/4"	208-230/460	3	54
CP1-1/4XPS	S39497-575T	CB1-1/4XPS	S39510-575T		1-1/2"	1-1/4"	575	3	55
CP1-1/4XPS	S39498	CB1-1/4XPS	S39511	2	1-1/2"	1-1/4"	230	1	66
CP1-1/4XPS	S39499	CB1-1/4XPS	S39512		1-1/2"	1-1/4"	208-230/460	3	66
CP1-1/4XPS	S39499-575T	CB1-1/4XPS	S39512-575T		1-1/2"	1-1/4"	575	3	67
		CB1-1/2XPS	S39513	2-1/2	2"	1-1/2"	230	1	74
		CB1-1/2XPS	S39514		2"	1-1/2"	208-230/460	3	74
		CB1-1/2XPS	S39514-575T		2"	1-1/2"	575	3	75

BERKELEY® CP/CB Series

General purpose centrifugal pumps

PUMP PERFORMANCE: HIGH HEAD



NOTE: Dotted lines indicate performance reduction at high suction lift.

PUMP PERFORMANCE (Capacity in gallons per minute) HIGH HEAD

HP	Discharge Pressure		Dynamic Suction Lift				
	PSI	Feet Head	5'	10'	15'	20'	25'
1/3	10	23.1	—	26	24	22	20
	20	46.2	20	18	15	11	10
	30	69.3	6	—	—	—	—
1/2	10	23.1	—	34	32	29	26
	20	46.2	25	21	18	15	11
	30	69.3	10	—	—	—	—
3/4	10	23.1	—	—	42	39	37
	20	46.2	35	32	30	28	26
	30	69.3	24	22	19	15	10
1	20	46.2	48	46	45	43	40
	30	69.3	38	35	31	28	25
	40	92.4	23	20	15	—	—

PUMP PERFORMANCE (Capacity in gallons per minute) HIGH HEAD

HP	Discharge Pressure		Dynamic Suction Lift				
	PSI	Feet Head	5'	10'	15'	20'	25'
1-1/2	20	46.2	62	60	58	55	52
	30	69.3	50	48	44	40	37
	40	92.4	37	32	29	22	—
2	20	46.2	71	68	66	62	60
	30	69.3	60	57	52	59	45
	40	92.4	45	40	36	31	24
	50	115.5	22	15	—	—	—
2-1/2	20	46.2	81	79	76	74	71
	30	69.3	69	67	63	60	56
	40	92.4	56	51	47	44	38
	50	115.5	33	30	22	15	—

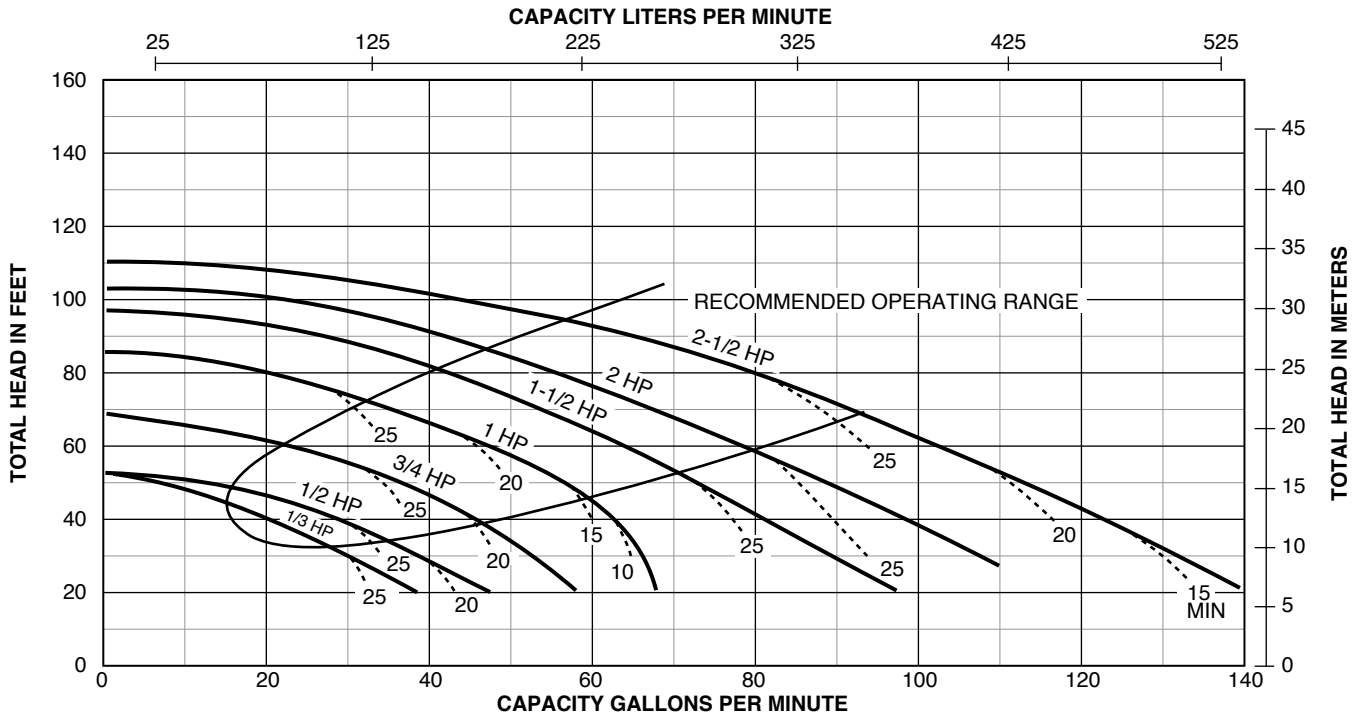
Tested and rated in accordance with Water Systems Council Standards.

NOTE: Pumps installed with a Pro-Source® tank require a 100 PSI relief valve. Pumps with a conventional tank require a 75 PSI relief valve. Relief valve must be capable of relieving entire flow of pump at relief pressure.

BERKELEY® CP/CB Series

General purpose centrifugal pumps

PUMP PERFORMANCE: MEDIUM HEAD



NOTE: Dotted lines indicate performance reduction at high suction lift.

PUMP PERFORMANCE (Capacity in gallons per minute)

MEDIUM HEAD

HP	Discharge Pressure		Dynamic Suction Lift				
	PSI	Feet Head	5'	10'	15'	20'	25'
1/3	10	23.1	32	27	18	—	—
	20	46.2	—	—	—	—	—
1/2	10	23.1	40	37	32	27	17
	20	46.2	—	—	—	—	—
3/4	10	23.1	—	50	46	42	32
	20	46.2	37	29	21	—	—
1	20	46.2	54	51	44	40	33
	30	69.3	33	28	18	—	—
1-1/2	20	46.2	71	69	62	57	51
	30	69.3	52	47	34	30	20
2	20	46.2	88	84	78	70	66
	30	69.3	67	60	50	45	40
	40	92.4	25	13	—	—	—
2-1/2	20	46.2	111	106	101	95	90
	30	69.3	90	83	77	70	60
	40	92.4	46	38	20	—	—

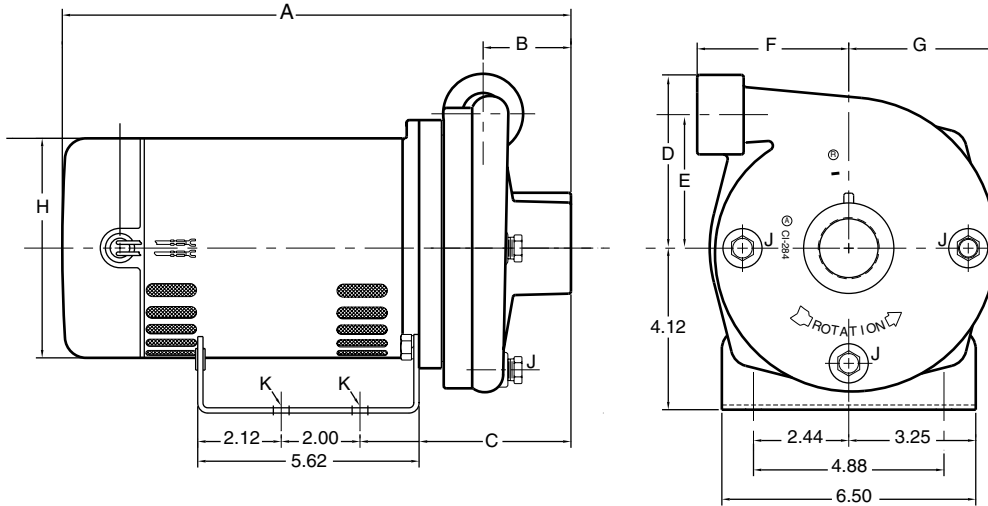
Tested and rated in accordance with Water Systems Council Standards.

NOTE: Pumps installed with a Pro-Source® tank require a 100 PSI relief valve. Pumps with a conventional tank require a 75 PSI relief valve. Relief valve must be capable of relieving entire flow of pump at relief pressure.

BERKELEY® CP/CB Series

General purpose centrifugal pumps

OUTLINE DIMENSIONS



Dimensions (in inches) are for estimating purposes only.

DIMENSIONS (IN INCHES)

HIGH HEAD

HP	NPT Suct.	NPT Disch.	A (1 Phase)	A (3 Phase)	B	C	D	E	F	G	H	NPT J	K
1/3	1-1/4	1	13	13-3/8	2-1/16	5-9/16	4-1/2	3-7/16	3-7/8	3-15/16	5-5/8	1/4	3/8 Dia.
1/2	1-1/4	1	11-21/32	13-3/8	2-1/16	5-9/16	4-1/2	3-7/16	3-7/8	3-15/16	5-5/8	1/4	3/8 Dia.
3/4	1-1/4	1	11-25/32	13-3/8	2-1/16	5-9/16	4-1/2	3-7/16	3-7/8	3-15/16	5-5/8	1/4	3/8 Dia.
1	1-1/4	1	12-25/32	13-7/8	2-1/16	5-9/16	4-1/2	3-7/16	3-7/8	3-15/16	5-5/8	1/4	3/8 Dia.
1-1/2	1-1/4	1	13-39/64	14-3/8	2-1/16	5-9/16	4-1/2	3-7/16	3-7/8	3-15/16	5-5/8	1/4	3/8 Dia.
2	1-1/2	1-1/4	16-3/4	16-15/16	2-13/16	6-5/16	4-27/32	3-13/32	4-5/8	4	6-7/16	1/4	3/8 Dia.
2-1/2	2	1-1/2	17-3/4	17-1/4	2-13/16	6-5/16	4-27/32	3-13/32	4-5/8	4	6-7/16	1/4	3/8 Dia.

MEDIUM HEAD

1/3	1-1/4	1	12-9/16	12-15/16	1-7/16	5-1/8	4-7/16	3-1/4	2-1/4	3-1/4	5-5/8	1/4	3/8 Dia.
1/2	1-1/4	1	11-7/32	12-15/16	1-7/16	5-1/8	4-7/16	3-1/4	2-1/4	3-1/4	5-5/8	1/4	3/8 Dia.
3/4	1-1/4	1	11-31/32	12-15/16	1-7/16	5-1/8	4-7/16	3-1/4	2-1/4	3-1/4	5-5/8	1/4	3/8 Dia.
1	1-1/2	1-1/4	12-11/32	13-7/16	1-7/16	5-1/8	4-7/16	3-1/4	2-1/4	3-1/4	5-5/8	1/4	3/8 Dia.
1-1/2	1-1/2	1-1/4	13-25/32	14-9/16	2	5-3/4	4-13/16	3-1/2	4-1/4	3-15/16	5-5/8	1/4	3/8 Dia.
2	1-1/2	1-1/4	16-3/16	16-3/8	2	5-3/4	4-13/16	3-1/2	4-1/4	3-15/16	6-7/16	1/4	3/8 Dia.
2-1/2	2	1-1/2	17-3/16	16-11/16	2	5-3/4	4-13/16	3-1/2	4-1/4	3-15/16	6-7/16	1/4	3/8 Dia.



US: 293 WRIGHT STREET, DELAVAN, WI 53115 WWW.BERKELEYPUMPS.COM PH: 888-782-7483 ORDERS FAX: 800-426-9446
CANADA: 490 PINEBUSH ROAD, UNIT 4, CAMBRIDGE, ONTARIO N1T 0A5 PH: 800-363-7867 ORDERS FAX: 888-606-5484
Because we are continuously improving our products and services, Pentair reserves the right to change specifications without prior notice.