

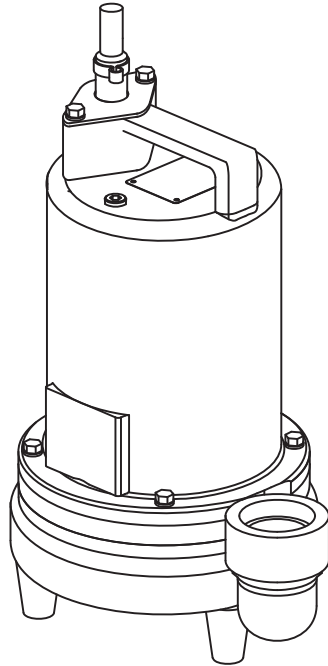
Series EH-HT

3/4" Spherical Solids Handling
High Temperature, Single Seal



www.cranepumps.com

Submersible Effluent Pumps



Series: EH-HT .5 & 1.5HP, 3450RPM, 60Hz

Sample Specifications: Section 3 Page 6.

DESCRIPTION:

PUMP IS DESIGNED FOR HANDLING SEWAGE EFFLUENT IN **HIGH TEMPERATURE** SEPTIC TANK/EFFLUENT APPLICATIONS.



WARNING:
CANCER AND REPRODUCTIVE HARM -
WWW.P65WARNINGS.CA.GOV

Specifications:

- DISCHARGE**2" NPT, Female, Vertical
- LIQUID TEMPERATURE**200°F (93°C) Continuous
- VOLUTE**Cast Iron ASTM A-48, Class 30
- MOTOR HOUSING**Cast Iron ASTM A-48, Class 30
- SEAL PLATE**Cast Iron ASTM A-48, Class 30
- IMPELLER: Design**3 Vane, open, with pump out vanes on back side. Dynamically balanced, ISO G6.3
- Material**Cast Iron ASTM A-48, Class 30
- SHAFT**416 Stainless Steel
- SQUARE RINGS**.....Buna-N
- HARDWARE**300 Series Stainless Steel
- PAINT**Air Dry Enamel
- SEAL:**
 - Design**Single Mechanical
 - Material**Carbon/Ceramic/Buna-N
 - Hardware -300 Series Stainless
- CORD ENTRY**......20 ft. (6m) Cord with plug on 120 volt & .5HP, 240 volt, 1 phase. Quick connect, custom molded for sealing and strain relief
- UPPER BEARING**.....Single Row, Ball, Oil lubricated
- LOWER BEARING**.....Single Row, Ball, Oil lubricated
- MOTOR: Design**NEMA L -Single Phase, NEMA B -Three phase Torque Curve, Oil Filled, Squirrel Cage Induction
- Insulation**.....Class F
- SINGLE PHASE:**
 - .5HP, 120VoltSplit Phase. Includes overload protection in motor
 - .5HP, 240VoltCapacitor Start, Induction Run Includes Overload Protection in Motor
 - 1.5HPPermanent Split Capacitor (PSC) Includes Overload Protection in Motor
- THREE PHASE**.....200-240/480 is Tri-Voltage. 600V. Requires Overload Protection to be included in control panel
- OPTIONAL EQUIPMENT**.....Seal Material, Impeller Trims, Additional cord, Normally Closed Temperature Sensors with cord for 3 phase pumps (Requires relay in control panel).
- RECOMMENDED:**
 - Accessories**Break Away Fitting (BAF)
Check Valve
Control Panel
 - Seal Kit PN**130180
 - Service Kit PN**.....130207



SECTION 3A
PAGE 20
DATE 12/18

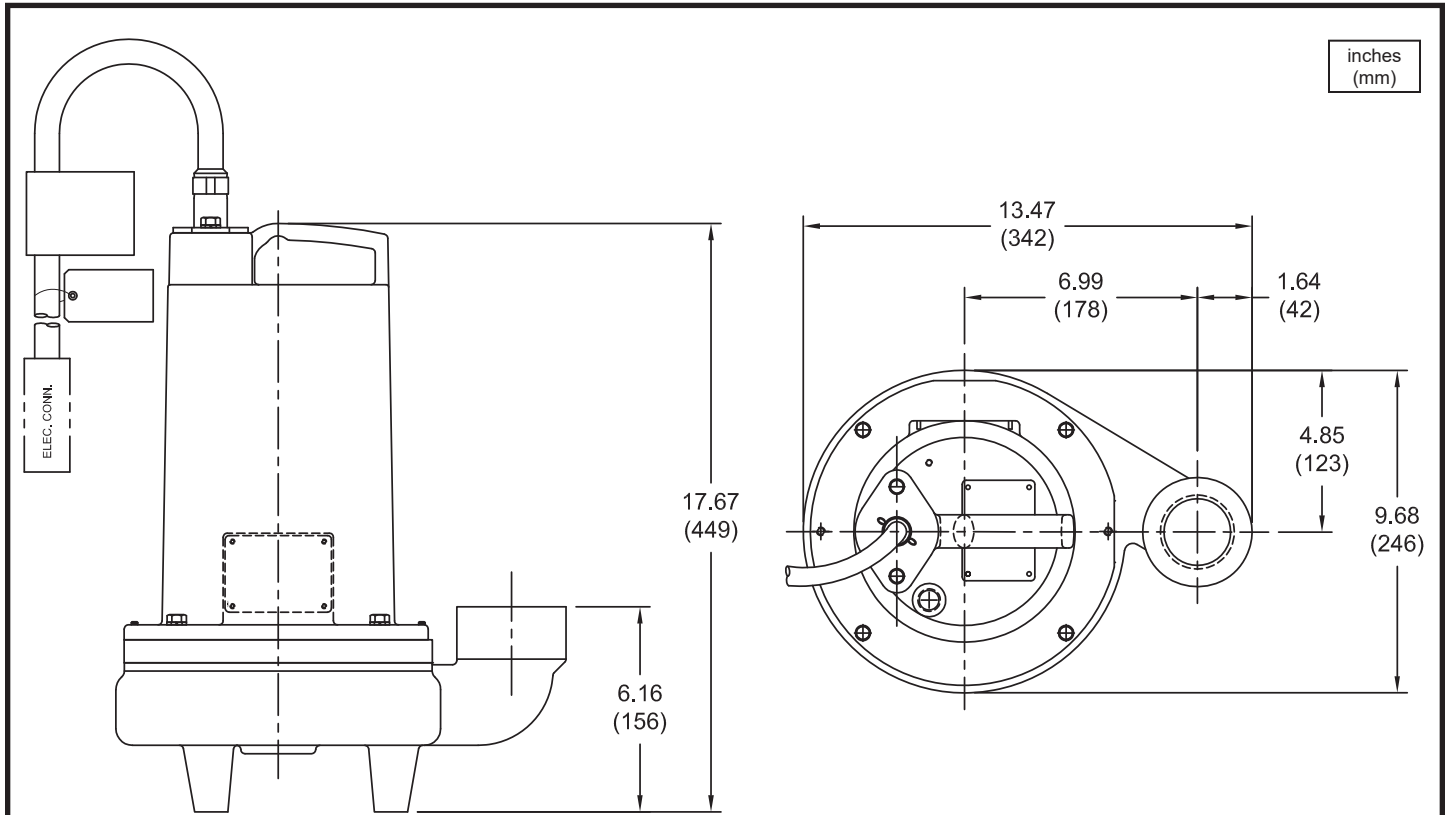


A Crane Co. Company

PUMPS & SYSTEMS

USA: (937) 778-8947 • Canada: (905) 457-6223 • International: (937) 615-3598

Submersible Effluent Pumps



MODEL NO	PART NO	HP	VOLT/PH	Hz	RPM (Nom)	NEMA START CODE	FULL LOAD AMPS	LOCKED ROTOR AMPS	CORD SIZE	CORD TYPE	CORD O.D inch (mm)
EH512HT	105084	0.5	120/1	60	3450	M	10.6	47.9	14/3	SOW	0.530 (13.5)
EH522HT	105085	0.5	240/1	60	3450	K	5.3	18.5	14/3	SOW	0.530 (13.5)
EH1522HT	105093	1.5	240/1	60	3450	E	9.0	30.6	14/3	SOW	0.530 (13.5)
EH1592HT	105094	1.5	200/240/3	60	3450	H/F	7.8/7.0	29.2/18.7	14/4	SOW	0.570 (14.5)
EH1542HT	105095	1.5	480/3	60	3450	K	3.5	14.6	14/4	SOW	0.570 (14.5)

OPTIONAL - Temperature sensor cord for 3 phase models is 14/3 SOW, .530 (13.5mm) O.D.

IMPORTANT !

- 1.) PUMP MAY BE OPERATED "DRY" FOR EXTENDED PERIODS WITHOUT DAMAGE TO MOTOR AND/OR SEALS.
- 2.) INSTALLATIONS SUCH AS DECORATIVE FOUNTAINS OR WATER FEATURES PROVIDED FOR VISUAL ENJOYMENT MUST BE INSTALLED IN ACCORDANCE WITH THE NATIONAL ELECTRIC CODE ANSI/NFPA 70 AND/OR THE AUTHORITY HAVING JURISDICTION. THIS PUMP IS NOT INTENDED FOR USE IN SWIMMING POOLS, RECREATIONAL WATER PARKS, OR INSTALLATIONS IN WHICH HUMAN CONTACT WITH PUMPED MEDIA IS A COMMON OCCURRENCE.
- 3.) MUST USE A **HIGH TEMPERATURE** WIDE ANGLE LEVEL CONTROL IN HIGH TEMPERATURE APPLICATIONS.

Series EH-HT

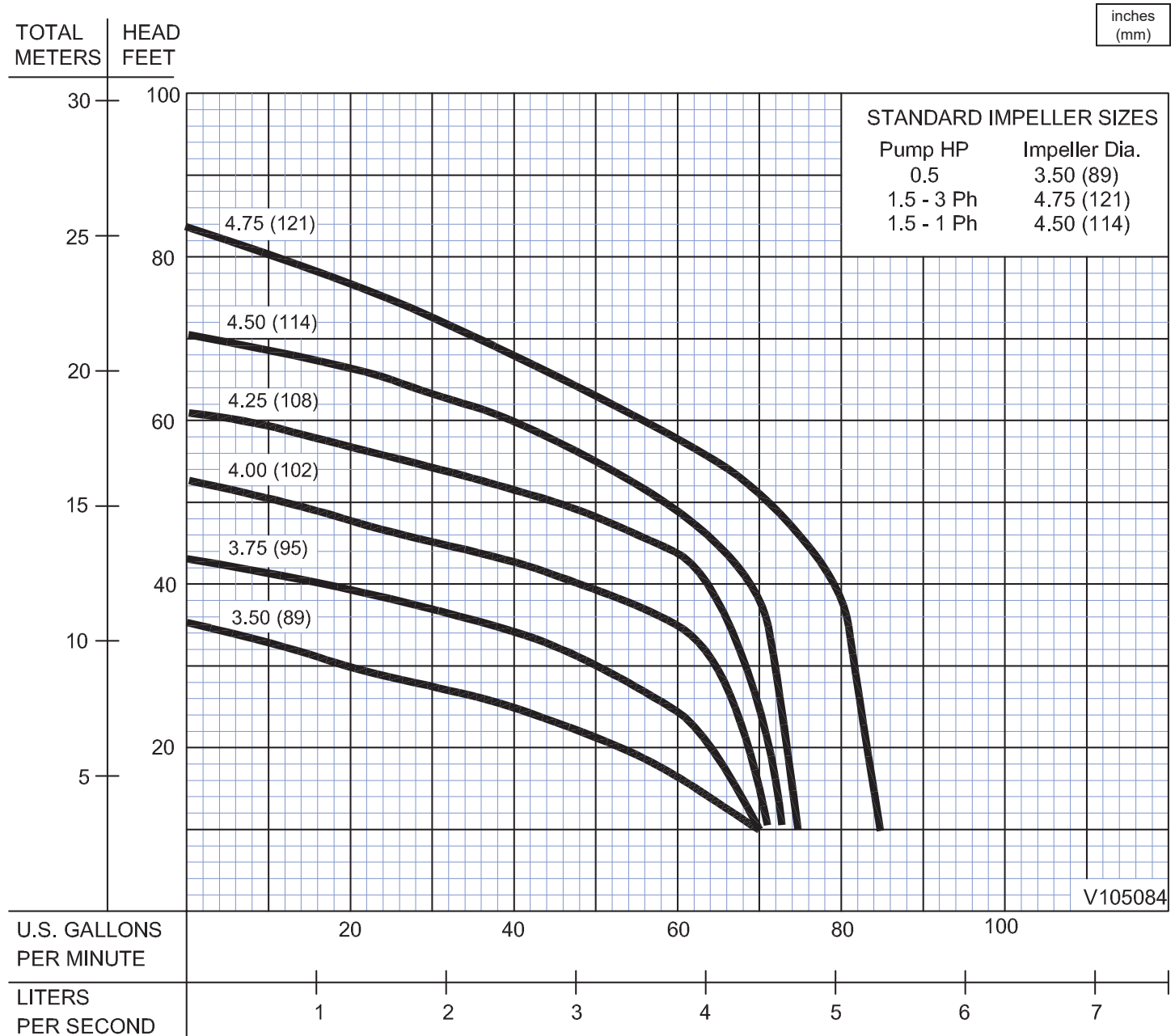
Performance Curve

.5 & 1.5HP, 3450RPM, 60Hz

BARNES®

www.cranepumps.com

Submersible Effluent Pumps



Testing is performed with water, specific gravity 1.0 @ 68° F @ (20°C), other fluids may vary performance

SECTION 3A
PAGE 22
DATE 6/04

CRANE®

A Crane Co. Company

PUMPS & SYSTEMS

USA: (937) 778-8947 • Canada: (905) 457-6223 • International: (937) 615-3598