

Liberty Pumps®

1100-Series



***NOTE:** 1100-Series systems require a separately ordered control panel for automatic operation and alternation of pumps. Floats are included as part of the control panel and are pre-mounted in system when the control is ordered with the base 1100-Series unit. See AE-series literature or consult factory for proper control selection.

Factory Pre-assembled! **Duplex Sewage System**

*For multi-unit residential
and commercial
installations requiring the
security of two pumps.*

**30" X 36" Basin
110 Gallon Capacity**

Factory pre-assembled with
LE-Series solids handling pumps
or PRG-Series grinder pumps...
You select the pump and control
panel – we build the system!

2" or 3" discharges available

Features:

- Heavy duty structural foam basin;
30" diameter x 36" high;
110 gallon capacity
- Completely assembled system
with piping included
- Floats for control unit
factory pre-set*
- 4" inlet hub with rubber pipe seal
- Heavy, 1/4" enamel coated steel cover
with separate pump access covers
and a 10" diameter inspection cover
(Fiberglass cover assembly available)
- Pump restraints (torque-stops) hold
pumps securely in proper position
- PRG grinder models come with
2" discharge only

innovate. evolve.

1100-SERIES DUPLEX SEWAGE SYSTEM

TECHNICAL SPECIFICATIONS

SYSTEM

The duplex sewage system shall be model _____/_____ as manufactured by Liberty Pumps, or equal. The system shall be factory pre-assembled with the pumps, discharge pipe nipples and floats pre-mounted in the basin. Volume per pump cycle shall be factory set at 28 U.S. gallons. Floats shall be tethered to a removable stand pipe/access cover assembly.

BASIN

The basin shall be constructed of structural foam and shall have a total capacity of 110 U.S. gallons. Internal dimensions shall be 30" diameter X 36" deep. The basin shall be provided with a 4" inlet hub and molded "torque-stops" to secure pumps in proper position.

COVER

The primary cover shall be "heavy-duty" 1/4" plate steel, enamel-coated on both sides. The cover shall be 34" in diameter and have _____ (2" or 3") discharges and vent flange. The cover shall be fitted with two 16" diameter pump access openings and one 10" inspection cover with integral stand pipe for float tethering. The cover assembly shall be provided with all necessary bolts and gaskets for mounting to basin.

PUMPS

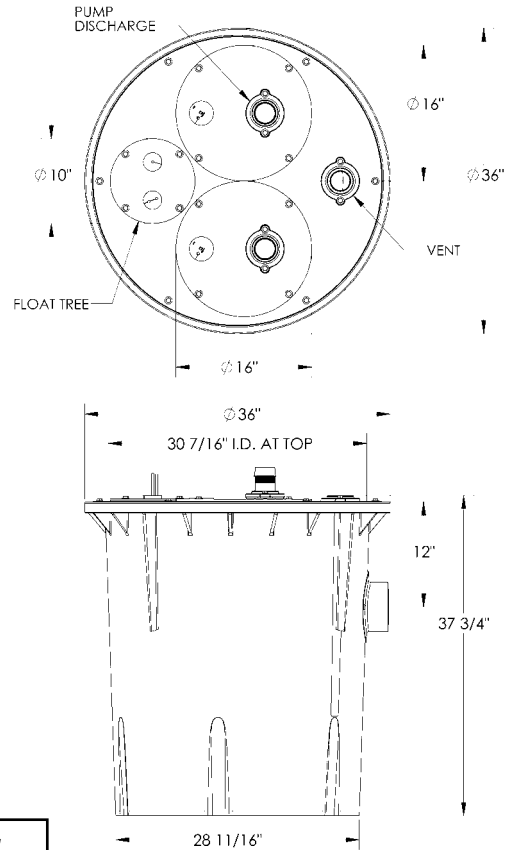
See individual LE-Series or PRG-Series literature sheet for specifications on the pumps selected.

2" Discharge Models

MODEL NUMBER	HP	PUMP VOLTAGE	PHASE	WEIGHT IN LBS.
1102/LE41M	4/10	115	1	210
1102/LE51M	1/2	115	1	217
1102/LE52M	1/2	208-230	1	218
1102/LE71M	3/4	115	1	255
1102/LE72M	3/4	208-230	1	255
1102/LE73M	3/4	208-230	3	260
1102/LE74M	3/4	440-480	3	260
1102/LE102M	1	208-230	1	261
1102/LE103M	1	208-230	3	265
1102/LE104M	1	440-480	3	265
1102/LE105M	1	575	3	265
1102/LEH102M	1	230	1	261
1102/LEH103M	1	208-230	3	265
1102/LEH104M	1	440-480	3	265
1102/LEH105M	1	575	3	265
1102/LEH152M	1.5	208-230	1	319
1102/LEH153M	1.5	208-230	3	319
1102/LEH154M	1.5	440-480	3	319
1102/LEH155M	1.5	575	3	319
1102/LEH202M	2	230	1	325
1102/LEH203M	2	208-230	3	325
1102/LEH204M	2	440-480	3	325
1102/LEH205M	2	575	3	325
1102/PRG101M	1	115	1	250
1102/PRG102M	1	208-230	1	250

For 3" discharge models, add "-3" to model number.
Example: 1103/LE51M (3" discharge not available on PRG models.)

Dimensional Data:



IMPORTANT: Control panel must be ordered separately.

AE-Series panels must be matched to the amperage of the pumps selected. See AE-Series literature or consult factory for proper selection. **800-543-2550**

For 3" discharge models, change the model prefix to 1103/... Example: 1103/LE51M (add 12 lbs to wgt, 3" not available on PRG models.)

Individual part numbers for basins & covers

Part #	Description
K001202	30" x 36" basin, with inlet hub
K001200	Cover, 2" discharge & vent with blank inspection cover
K001201	Cover, 3" discharge & vent with blank inspection cover
K001203	10" inspection cover with float tree for 3-float control (floats not included)



Specifications are subject to change without notice.