

DIRECT DRIVE PUMPS - WGP-SERIES

Efficient, oil-less, direct-drive, dual-discharge pumps produce greater pressure, so each can serve two water features simultaneously. Installed either vertically or horizontally, the corrosion-resistant submersible body is designed for non-potable, continuous operation.



FEATURES

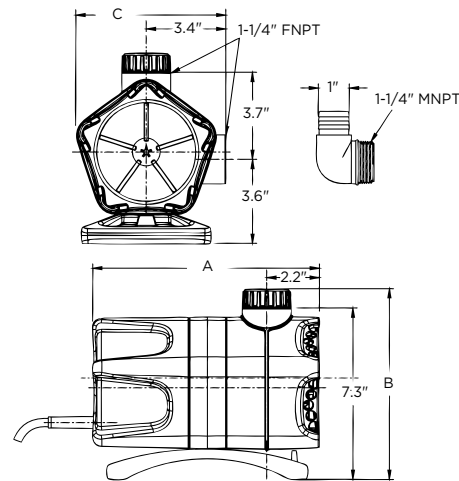
- Use vertically or horizontally
- Removable pre-filter for cleaning
- Ideal for filtration, waterfall, and streams

ORDERING INFORMATION

WGP Series	Item No.	Amps	Watts	Cord (ft)	Submerged Use	Discharge FNPT	Gallons Per Hour (GPH) @ Height						Shut-off (ft)
							1'	5'	10'	15'	20'	25'	
WGP-65-PW	566409	2	230	16'	✓	1-1/4"	1900	1250	785	325	-	-	20
WGP-80-PW	566417	6.3	700	16'	✓	1-1/4"	3500	3200	2700	2100	1300	695	29.5
WGP-95-PW	566407	6.3	700	16'	✓	1-1/4"	4280	4000	3500	2850	2200	1370	30

DIMENSIONS

Dimensions (in)	A	B	C
WGP-65-PW	9.6	8.1	6.35
WGP-80-PW	11.0	8.1	6.35
WGP-95-PW	11.0	8.1	6.35



PERFORMANCE

